

Plan Information

Tenure Type	Freehold
Plan Type	Deposited Plan
Plan Purpose	Subdivision

Plan Heading

Lots 155-170, 172-178, 400-410, 415-425, 430-437, 450-457, 8011, 9107 and Roads

Locality & Local Government

Locality	Treeby
Local Government	City of Cockburn

Department of Planning, Lands and Heritage

File Number	
-------------	--

Examination

Examined	Date
----------	------

Planning Approval

Planning Authority	Western Australian Planning Commission
Reference	200526

Delegated under S. 16 P&D Act 2005	Date
------------------------------------	------

In Order For Dealings

Subject To	
------------	--

For Inspector of Plans and Surveys	Date
------------------------------------	------

Plan Approved Reg. 26A (4)

Inspector of Plans and Surveys / Authorised Land Officer	Date
--	------

Survey Details

Field Records	148973
Declared as Special Survey Area	Yes

Survey Method Regulatory Statement

Survey carried out under Reg. 26A Special Survey Area Guidelines. See survey sheet(s) to determine the true final position and type of all survey marks placed for this plan.

Survey Method and Plan Content Variations

Approved Variation Type REG 26A(1) FINAL MARKING DEFERRED	Reference (Approved ID DXXX-XX - Dated XX Month Year, Landgate File 0XXXX-20XX)
---	---

Survey Certificate - Regulation 54

I, Charles A.YOUNGE hereby certify that this plan is accurate and is a correct representation of the -
(a) survey; and
(b) calculations from measurements recorded in the field records, undertaken for the purposes of this plan and that it complies with the relevant written law(s) in relation to which it is lodged.

Licensed Surveyor	Date
-------------------	------

Survey Organisation

Name	MNG MCMULLEN NOLAN GROUP
Address	PO Box 124, BULL CREEK W.A. 6149
Phone	6436 1599
Fax	6436 1500
Email	info @ mngsurvey.com.au
Reference	98202dp-086a

**PRELIMINARY ONLY
UNLODGED VERSION
SUBJECT TO
LANDGATE AUDIT**
This version is
- Current as at 21/10/2024
- Subject to change without notice
- Not intended for design use,
a LANDGATE APPROVED copy
should be obtained for such purposes.

Amendments

Version	Lodgement Type	Amendment Description	Authorised By	Date

Former Tenure

New Lot / Land	Parent Plan Number	Parent Lot Number	Title Reference	Subject Land Description
155-170, 172-178, 400-410, 415-425, 430-437, 450-457, 8011, 9107	DP 429087	PT LOT 9106		

Former Tenure Interests and Notifications

Subject	Purpose	Statutory Reference	Origin	Land Burdened	Benefit To	Comments
Ⓒ	RESTRICTIVE COVENANT	SEC 129BA OF THE TLA 1893	DOC P212945	LOT 9107	ELECTRICITY NETWORKS CORPORATION	FIRE SEPARATION
Ⓒ ⁷	EASEMENT (Sewerage)	SEC 167 OF THE P&D ACT 2005 REG 33 (b)	DP 427131	LOT 9107	WATER CORPORATION	
Ⓒ ^{3b}	EASEMENT (Sewerage)	SEC 167 OF THE P&D ACT 2005 REG 33 (b)	DP 429087	LOT 9107	WATER CORPORATION	
Ⓒ ^{3c} 2	EASEMENT (Electricity Supply)	SEC 167 OF THE P&D ACT 2005 REG 33 (c)	DP 427131	LOT 9107	ELECTRICITY NETWORKS CORPORATION	
Ⓐ	RESTRICTIVE COVENANT	SEC 129BA OF THE TLA 1893	DOC Q049526	LOT 9107	ELECTRICITY NETWORKS CORPORATION	FIRE SEPARATION

New Notifications and Memorials

Subject	Purpose	Statutory Reference	Origin	Land Burdened	Benefit To	Comments
	NOTIFICATION (Hazards or other Factors)	SEC 165 OF THE P&D ACT 2005	DOC	ALL LOTS EXCEPT LOTS 8011 & 9107		AIRCRAFT NOISE
	NOTIFICATION (Hazards or other Factors)	SEC 165 OF THE P&D ACT 2005	DOC	LOTS 432 & 433		BUSHFIRE MANAGEMENT PLAN

Vesting Lots

Subject	Purpose	Statutory Reference	Origin	Land Burdened	Benefit To	Comments
LOT 8011	RESERVE FOR RECREATION	VESTS IN THE CROWN UNDER SEC 152 OF THE P & D ACT 2005	THIS PLAN			

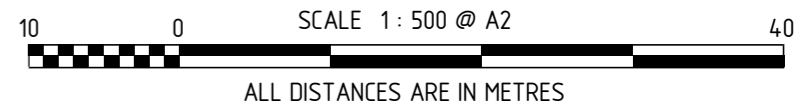
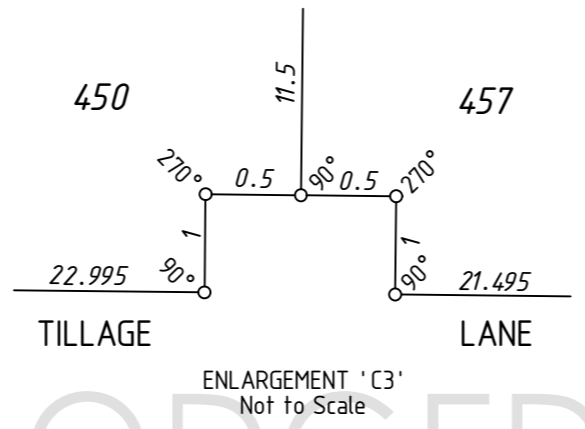
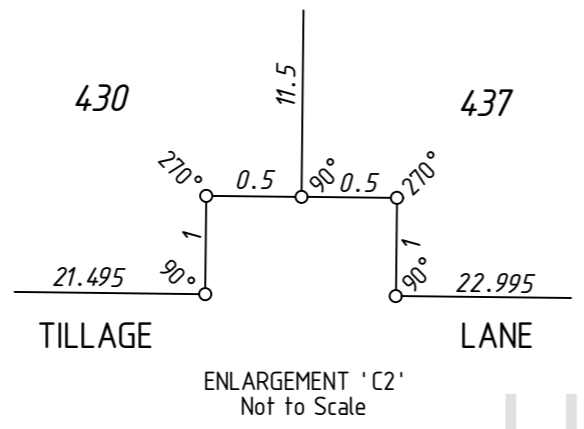
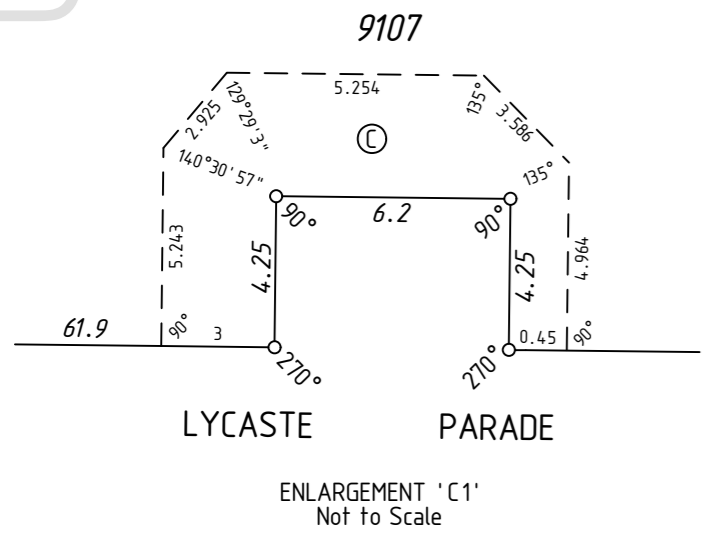
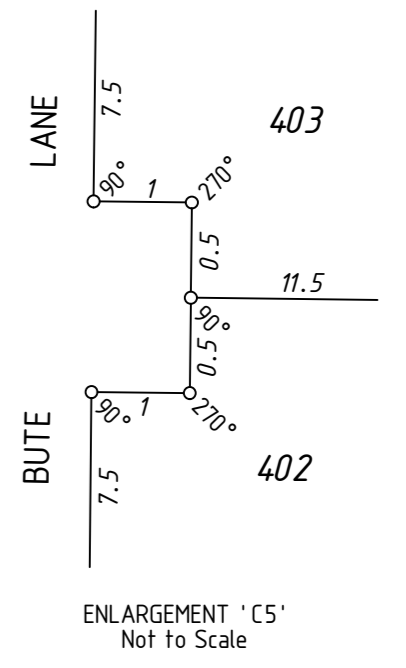
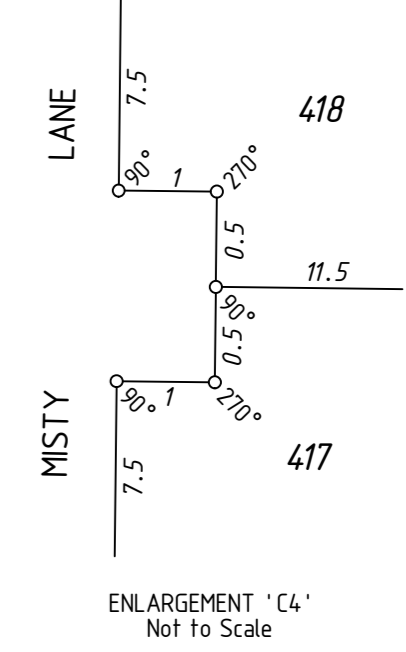
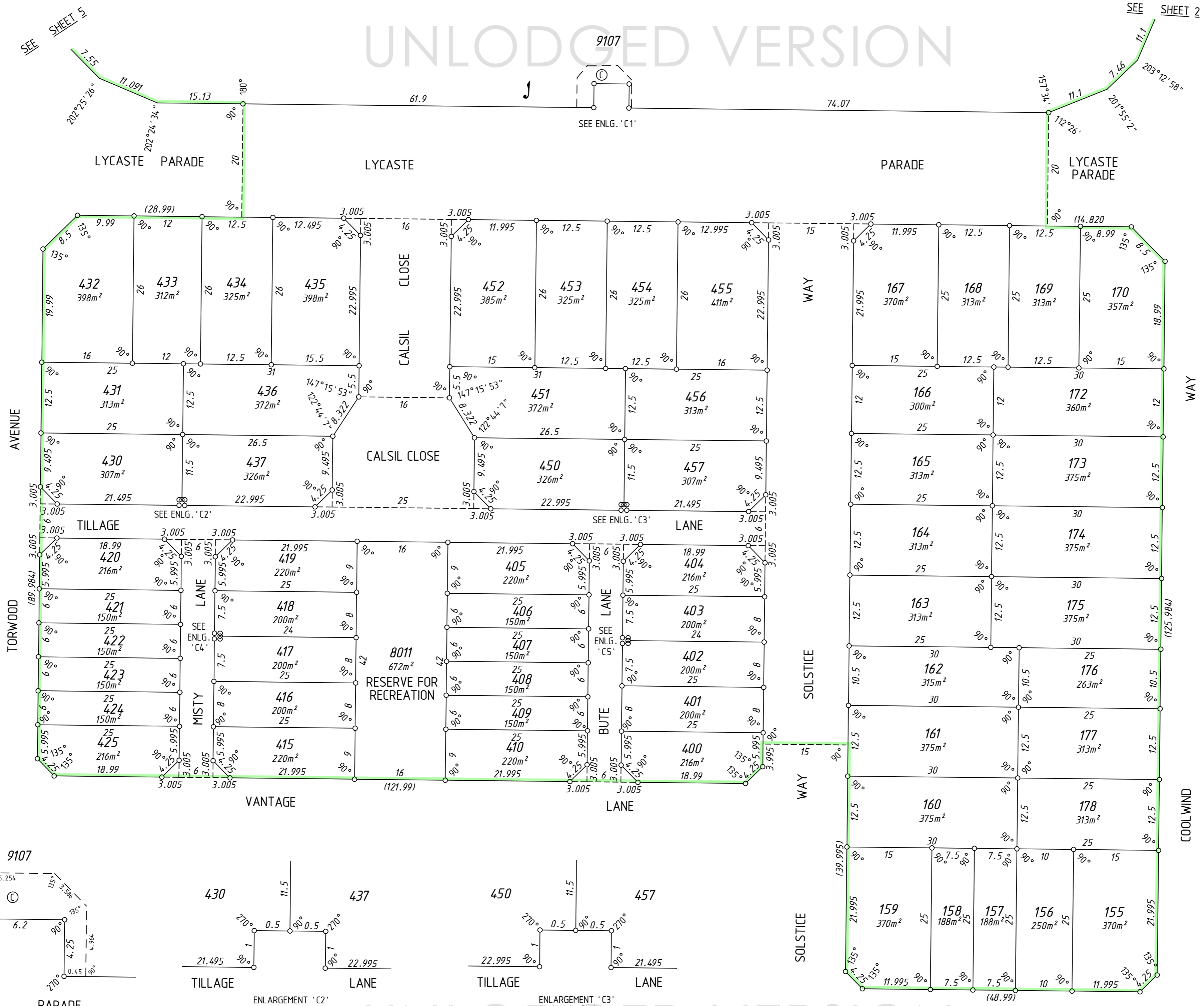
AMENDMENTS TABLE		
Revision	Description	Date
A	Initial Issue	12/08/2024
B	Amend after PM check	20/08/2024
C	Amend after audit - FINAL	09/09/2024

UNLODGED VERSION

UNLODGED VERSION

UNLODGED VERSION

PRELIMINARY ONLY
UNLODGED VERSION
SUBJECT TO
LANDGATE AUDIT
This version is
- Current as at 21/10/2024
- Subject to change without notice
- Not intended for design use,
a LANDGATE APPROVED copy
should be obtained for such purposes.



UNLODGED VERSION

UNLODGED VERSION

UNLODGED VERSION

DRAFT
 ALL AREAS AND DIMENSIONS
 ARE SUBJECT TO FINAL SURVEY
 AND WAPC APPROVAL

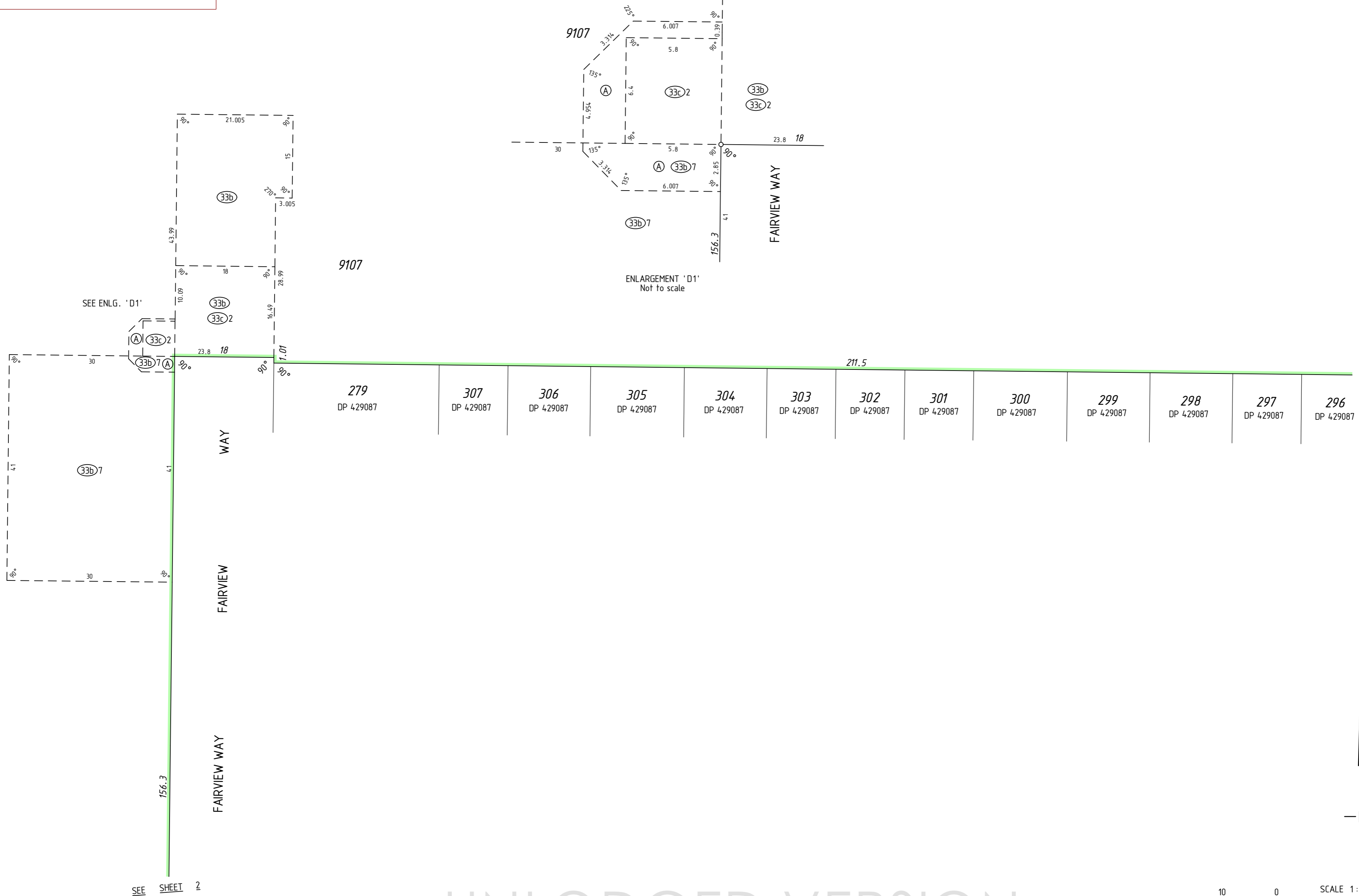
**PRELIMINARY ONLY
 UNLODGED VERSION
 SUBJECT TO
 LANDGATE AUDIT**

This version is
 - Current as at 21/10/2024
 - Subject to change without notice
 - Not intended for design use,
 a LANDGATE APPROVED copy
 should be obtained for such purposes.

UNLODGED VERSION

UNLODGED VERSION

UNLODGED VERSION



SEE SHEET 2

SEE SHEET 2

UNLODGED VERSION

DRAFT
 ALL AREAS AND DIMENSIONS
 ARE SUBJECT TO FINAL SURVEY
 AND WAPC APPROVAL

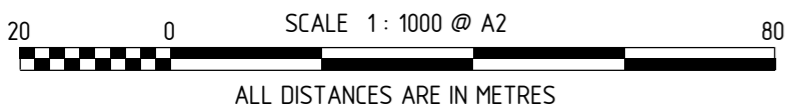
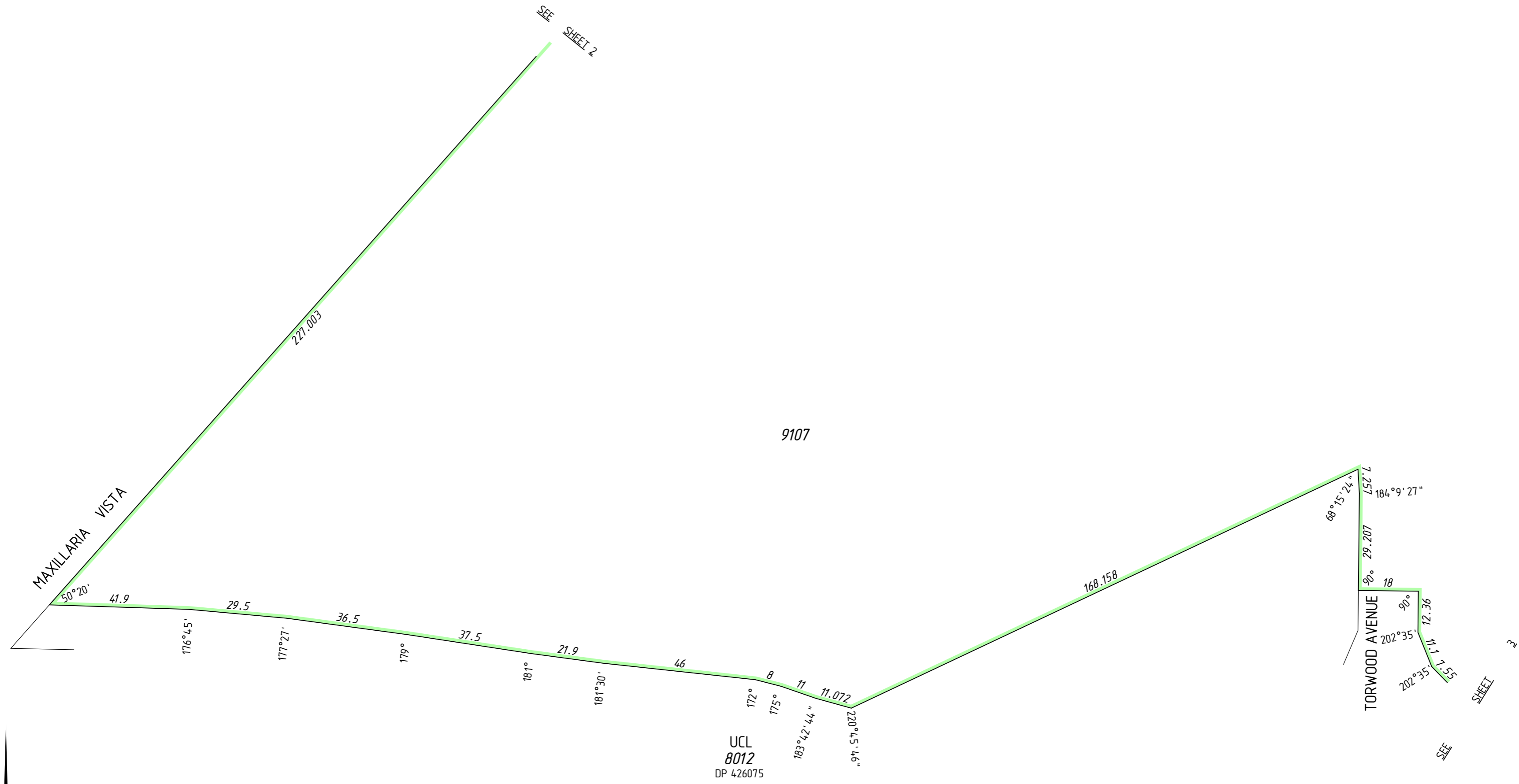
**PRELIMINARY ONLY
 UNLODGED VERSION
 SUBJECT TO
 LANDGATE AUDIT**

This version is
 - Current as at 21/10/2024
 - Subject to change without notice
 - Not intended for design use,
 a LANDGATE APPROVED copy
 should be obtained for such purposes.

UNLODGED VERSION

UNLODGED VERSION

UNLODGED VERSION



UNLODGED VERSION

DRAFT
ALL AREAS AND DIMENSIONS
ARE SUBJECT TO FINAL SURVEY
AND WAPC APPROVAL

UNLODGED VERSION

PRELIMINARY ONLY
UNLODGED VERSION
SUBJECT TO
LANDGATE AUDIT
This version is
- Current as at 21/10/2024
- Subject to change without notice
- Not intended for design use,
a LANDGATE APPROVED copy
should be obtained for such purposes.

UNLODGED VERSION

UNLODGED VERSION

THIS SURVEY SHEET WILL BE
REPLACED BY THE SURVEY DATA

UNLODGED VERSION



MC MULLEN NOLAN GROUP
PO Box 124, Bull Creek W.A. 6149
Tel: (08) 6436 1599
Fax: (08) 6436 1500
Email: info@mngsurvey.com.au

MNG Ref : 98202dp-086a

VERSION NUMBER

1

DEPOSITED PLAN

429752